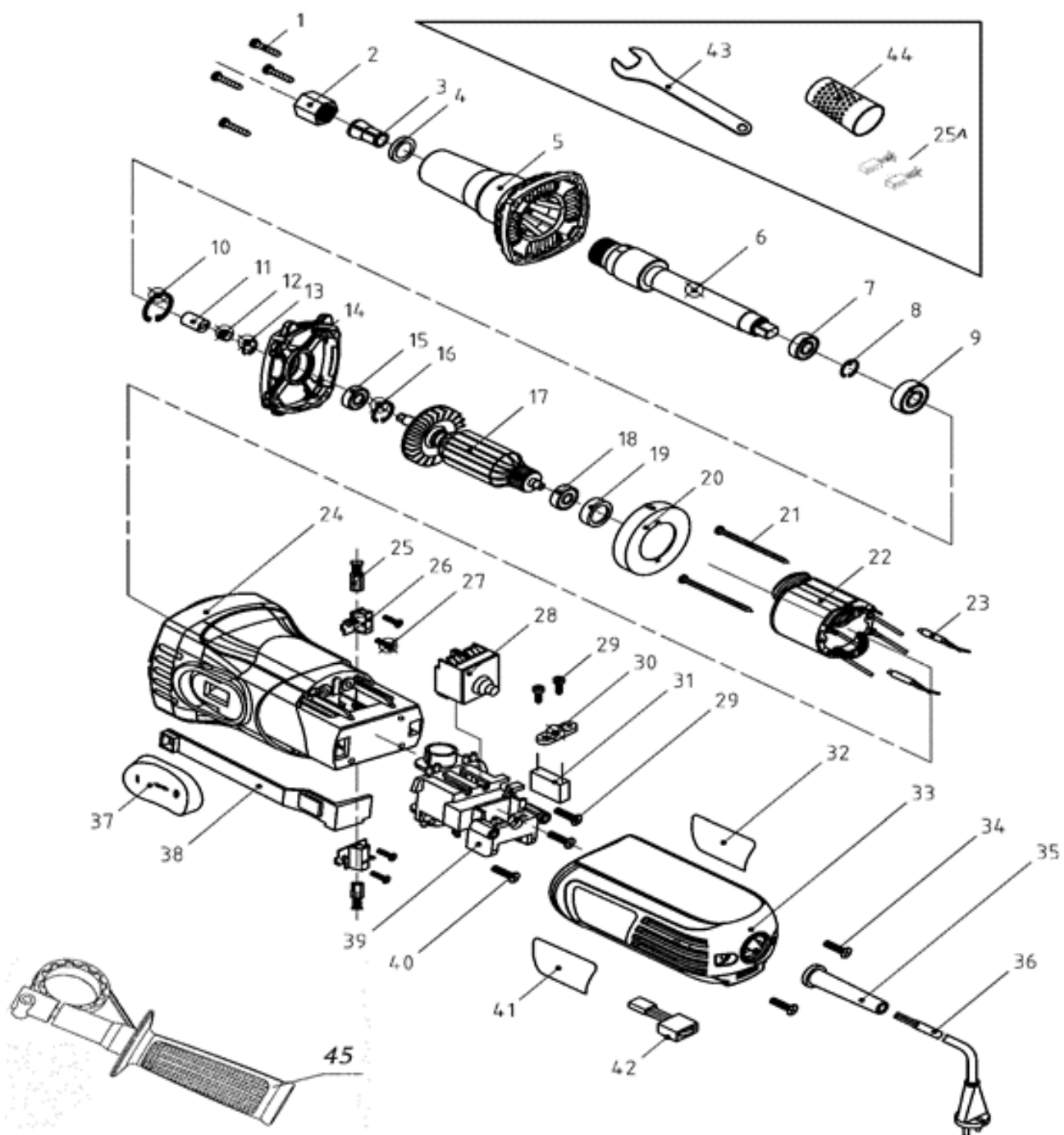


Exploded view EDG.600



Spare parts list EDG.600

Drawing	Search Code EBH	Availability	Description
1	EDG600.0001	Not available	TAPPING SCREW ST4x35C
2	EDG600.0002	Available	COLLET NUT M15
3	EDG600.0003	Available	COLLET Ø 6 MM
	EDG600.0046	Available	COLLET ADAPTER Ø 6 TO 3 MM
	EDG600.0047	Available	COLLET Ø 8 MM
	EDG600.0048	Available	COLLET Ø 6.35 MM (1/4")
4	EDG600.0004	Not available	DUSTPROOF COVER
5	EDG600.0005	Not available	SPINDLE COLLAR
6	EDG600.0006	Available	SPINDLE
7	EDG600.0007	Available	BALL BEARING 6901.rs
8	EDG600.0008	Not available	CIRCLIP FOR SHAFT Ø 12
9	EDG600.0009	Available	BALL BEARING 6200.rs
10	EDG600.0010	Not available	CIRCLIP FOR HOLE Ø 30
11	EDG600.0011	Available	ADAPTOR
12	EDG600.0012	Not available	SPRING
13	EDG600.0013	Not available	CIRCLIP FOR SHAFT Ø 10
14	EDG600.0014	Not available	MIDDLE CAP
15	EDG600.0015	Available	BALL BEARING 6000 2RS
16	EDG600.0016	Not available	CIRCLIP FOR HOLE Ø 26
17	EDG600.0017	Available	ARMATURE 220/230V
	EDG600.0049	Not available	ARMATURE 110/120V
18	EDG600.0018	Available	BALL BEARING 608.2Z
19	EDG600.0019	Not available	BEARING BUSH
20	EDG600.0020	Not available	BAFFLE
21	EDG600.0021	Not available	TAPPING SCREW ST4x60C
22	EDG600.0022	Available	STATOR 220V/230V
	EDG600.0050	Not available	STATOR 110V/120V
23	EDG600.0023	Not available	INDUCTANCE
24	EDG600.0024	Not available	HOUSING
25	EDG600.0025	Available	CARBON BRUSH
26	EDG600.0026	Available	BRUSH HOLDER
27	EDG600.0027	Not available	TAPPING SCREW ST4x10C
28	EDG600.0028	Available	SWITCH
29	EDG600.0029	Not available	TAPPING SCREW ST4x14C
30	EDG600.0030	Not available	CORD CLIP
31	EDG600.0031	Not available	CAPACITOR
32	EDG600.0032	Not available	RATING LABEL
33	EDG600.0033	Not available	REAR COVER
34	EDG600.0034	Not available	TAPPING SCREW 4X16
35	EDG600.0035	Available	CORD SLEEVE
36	EDG600.0036	Not available	POWER CORD EU PLUG
	EDG600.0051	Not available	POWER CORD US PLUG
	EDG600.0052	Not available	POWER CORD UK/GCC PLUG
37	EDG600.0037	Available	SWITCH BUTTON
38	EDG600.0038	Available	SWITCH SLIDE
39	EDG600.0039	Not available	SWITCH HOLDER
40	EDG600.0040	Not available	COUNTERSUNK HEAD SCREW 4X14
41	EDG600.0041	Not available	BRAND LABEL
42	EDG600.0042	Available	SPEED CONTROLLER
43	EDG600.0043	Not available	SPANNER
44	EDG600.0044	Not available	SOFT GRIP
45	EDG600.0045	Available	GRIP HANDLE